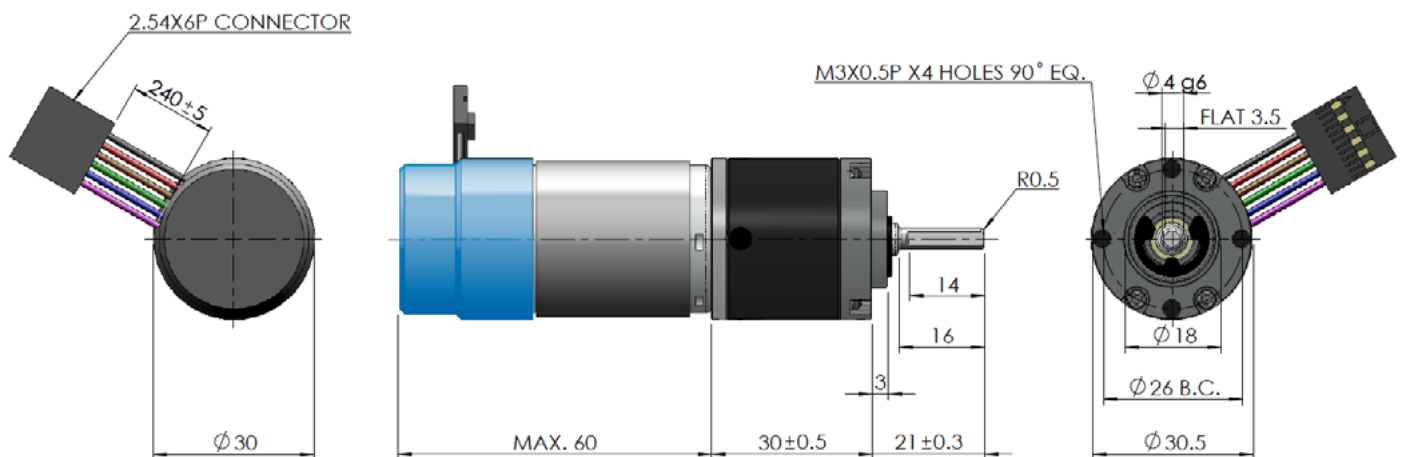


Test Voltage	9V DC
No Load Speed	196rpm~265rpm
No Load Current	Max. 330mA
Gear Ratio	27:1
Stall Torque (motor only)	780g-cm \pm 15%
Voltage Endurance	AC500V 10mA/sec
Stall Torque	16.8 Kg-cm
Stall Current	5800mA
Max Output:	
Torque	8.75 Kg-cm
Current	2.85 A
Output	10.33 W
Speed	115 RPM
Encoder Resolution	757.12 ticks per revolution



*The High Torque Motor can be found in the Competition Resource Set